

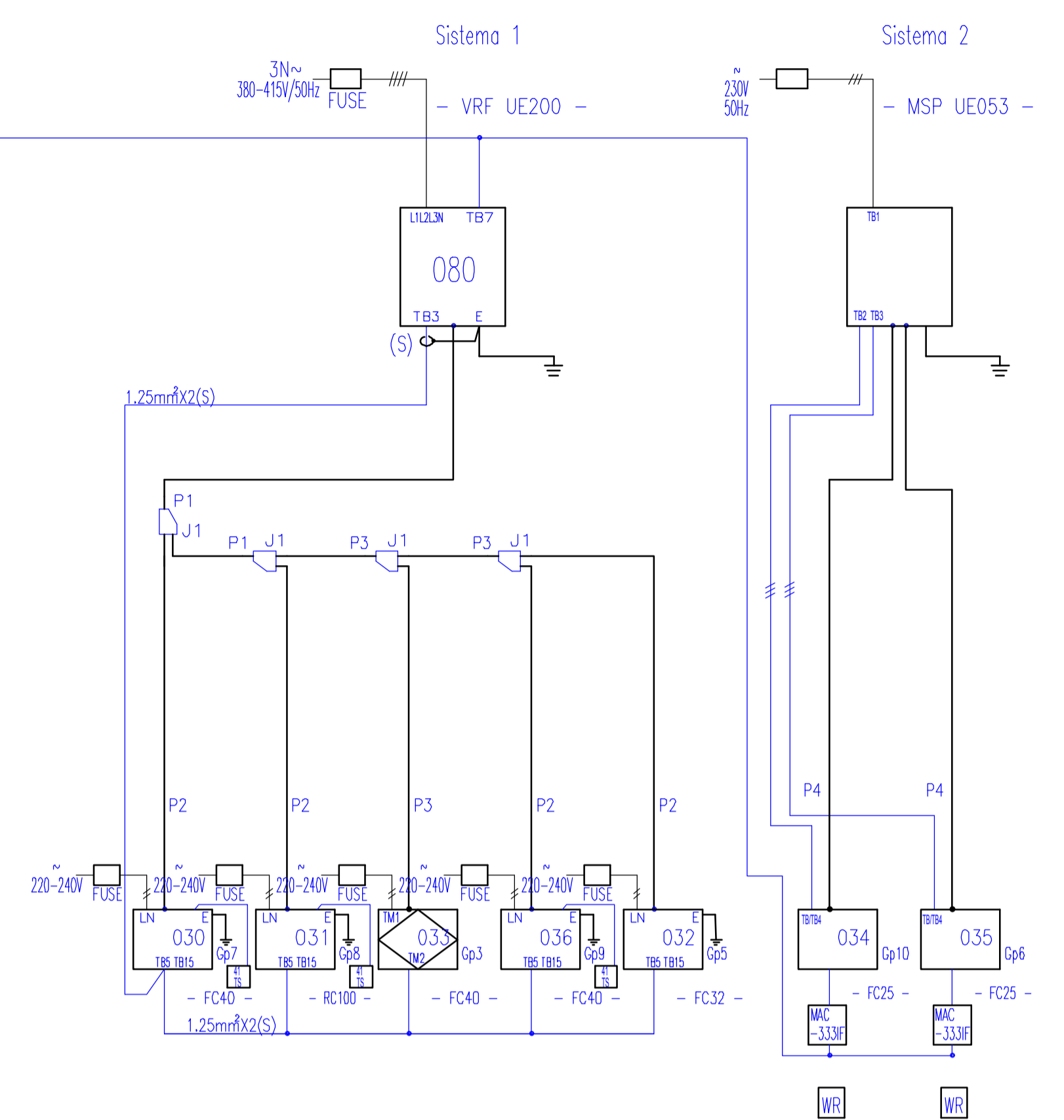
DIAGRAM DISPLAY	SYMBOL	LEGEND DESCRIPTION	CONT.No	PAGE 1/1
---	---	POWER WIRE		
---	---	CONTROL WIRE		
---	---	REF. PIPE / WATER PIPE		
---	---	POWER SIGNAL WIRE		

The symbol of replace judgment	Symbol	Definition
#1	Standard	
#2	Usable	Unit performance will be affected.
#3	Usable	Refrigerant charge will be limited.
#4	Usable	Piping length will be limited.
#5	Piping length not within specification will be limited.	

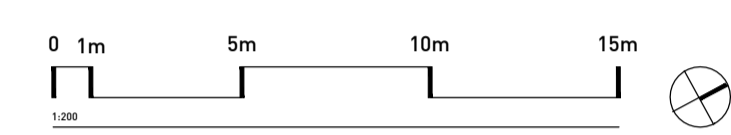
PIPING LIST	
SYMBOL	BRANCH PIPE MODEL NAME
J1	CMY-Y62-G-E
SYMBOL LIQUID PIPE/GAS PIPE SIZE	
P1	9.52 / 19.05
P2	6.35 / 12.7
P3	9.52 / 19.05
P4	6.35 / 9.52

Address	Additional Refrigerant
080	3.90 kg
034	0.00 kg

Appropriate Circuit Protection Device in accordance with local government regulations are mandatory required such as DF(Inverter type) and MB etc. Please refer the amount of gas-charge and the formula of calculation which is mentioned on the data book.
 1.25mm² (16 AWG) : 1.25mm² (16 AWG) or more. 1.25mm² (16 AWG) : 1.25mm² (16 AWG) or more.
 Grounding required between Outdoor Unit and Indoor Unit(s).



1 UFFICI-BIGLIETTERIA PIANO TERRA



FONDO EUROPEO DI SVILUPPO REGIONALE BASILICATA



MATERA 2019 CAPITALE EUROPEA DELLA CULTURA



COMMITTENTE



STAZIONE MATERA CENTRALE RISTRUTTURAZIONE EDILIZIA ED ADEGUAMENTO TECNOLOGICO

PROGETTO ARCHITETTONICO



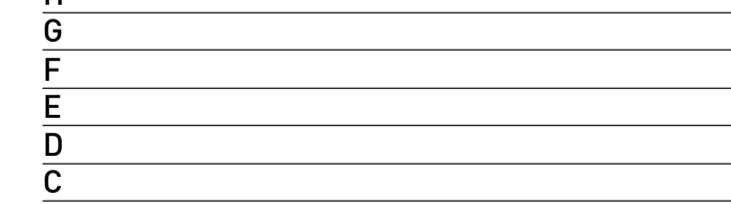
Stefano Boeri Architetti
via Gaetano Donizetti, 4
20122 Milano
t +39 0255014101
f +39 0236769185

PROGETTO STRUTTURE



sce Project
viale Sarca, 336/f
20126 Milano
t +39 0270006530
f +39 0271091187

PROGETTO IMPIANTI



ESA Engineering
Foro Buonaparte 76
20121 Milano
t +39 0289151638
f +39 0559029994

COST ANALYSIS

Global Assistance Development S.r.l.
Via M. Quadrio 12
20154 Milano
t +39 022905672
f +39 0265560517

revisione	data
emissione	16.04.2018

PROGETTO ESECUTIVO

IMPIANTI MECCANICI
SCHEMI FUNZIONALI
IMPIANTO DI CLIMATIZZAZIONE

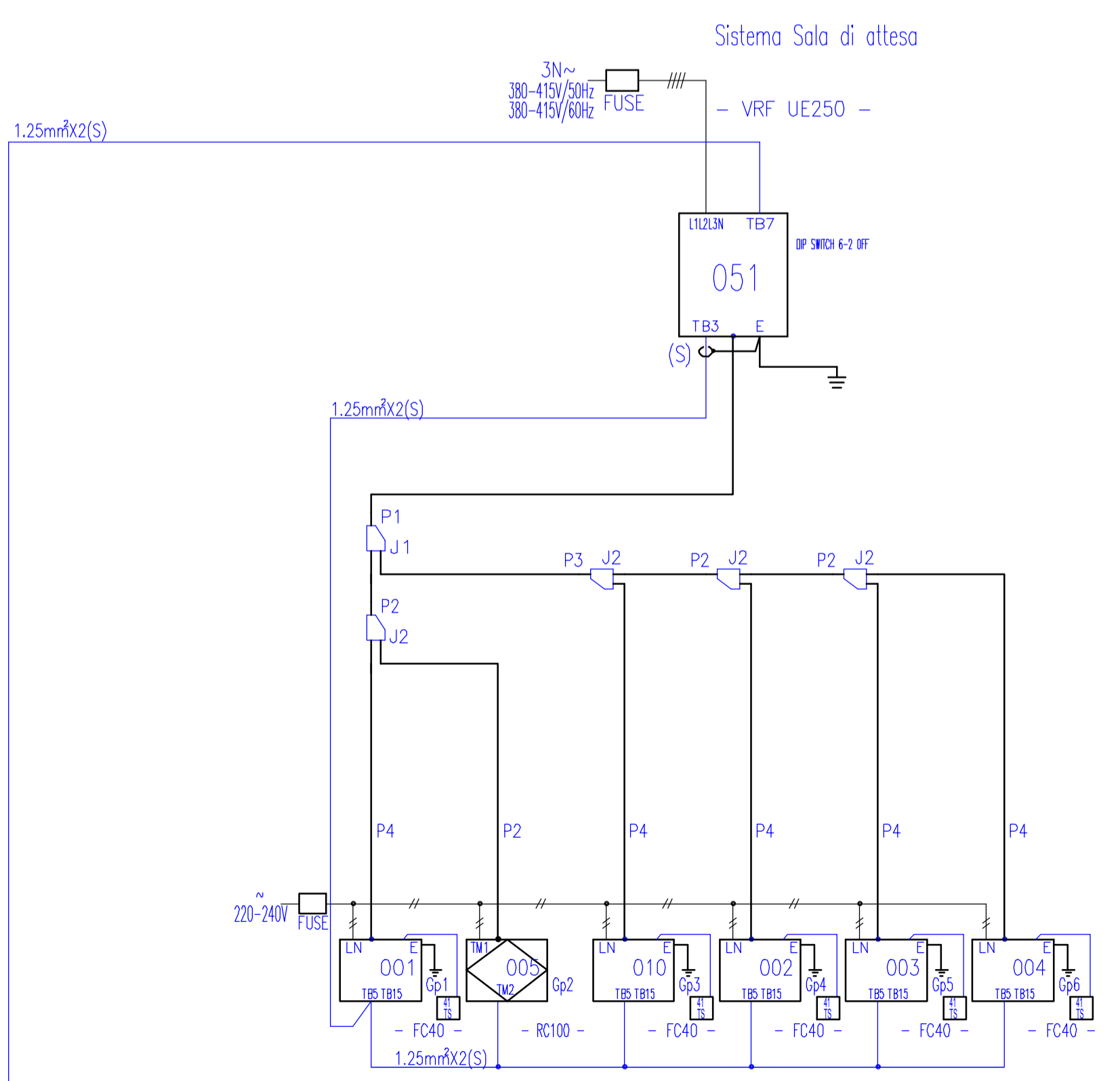
commissa
A - MTR
scala
1:200
formato
A1
n. tavola
PE_ I 12 100

DIAGRAM DISPLAY	SYMBOL	LEGEND DESCRIPTION	CONT.No	PAGE 1/1
---	---	POWER WIRE		
---	---	CONTROL WIRE		
---	---	REF. PIPE / WATER PIPE		
---	---	POWER SIGNAL WIRE		

The symbol of replace judgment	Symbol	Definition
#1	Standard	
#2	Usable	Unit performance will be affected.
#3	Usable	Refrigerant charge will be limited.
#4	Usable	Piping length will be limited.
#5	Piping length not within specification will be limited.	

PIPING LIST	
SYMBOL	BRANCH PIPE MODEL NAME
J1	CMY-Y10ZLS-G2
J2	CMY-Y10ZSS-G2
SYMBOL LIQUID PIPE/GAS PIPE SIZE	
P1	9.52 / 22.2
P2	9.52 / 15.88
P3	9.52 / 19.05
P4	6.35 / 12.7

Address	Additional Refrigerant
051	4.10 kg



2 SALA D'ATTESA PIANO TERRA

Appropriate Circuit Protection Device in accordance with local government regulations are mandatory required such as DF(Inverter type) and MB etc. Please refer the amount of gas-charge and the formula of calculation which is mentioned on the data book.
 1.25mm² (16 AWG) : 1.25mm² (16 AWG) or more. 1.25mm² (16 AWG) : 1.25mm² (16 AWG) or more.

