

DIAGRAM SYMBOL	LEGEND DESCRIPTION
---	POWER WIRE
---	CONTROL WIRE
---	REF. PIPE / WATER PIPE
---	POWER SIGNAL WIRE

The symbol of replace judgment

Symbol	Definition
#1	Standard
#2	Usable (but performance will be affected)
#3	Usable (Performance change will be limited)
#4	Usable (Piping length will be limited)
#5	Piping length and relief operation will be limited

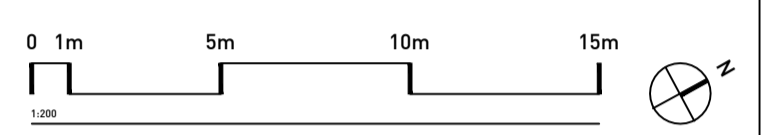
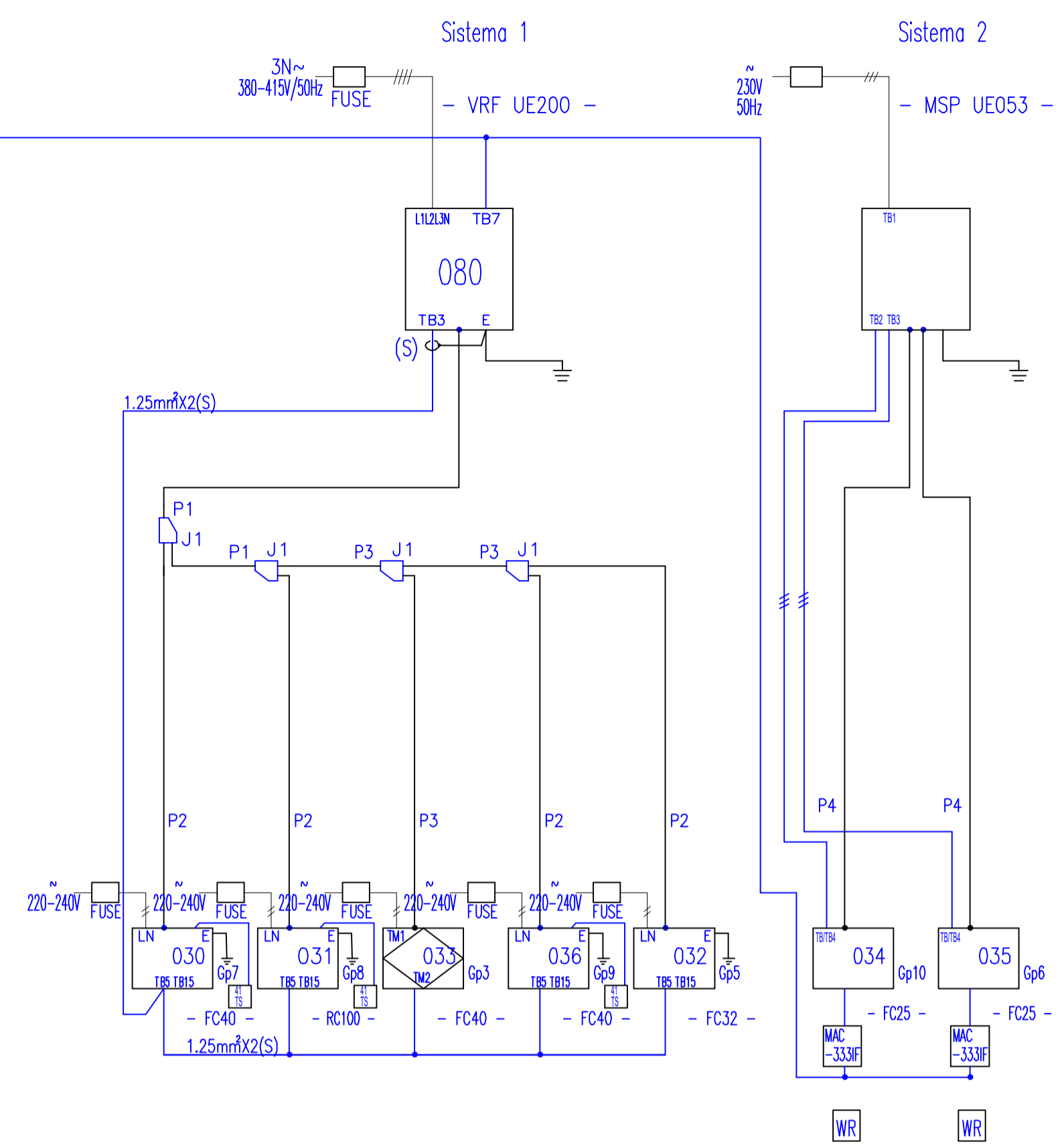
PIPING LIST

SYMBOL	BRANCH PIPE MODEL NAME
J1	CMY-Y62-G-E

SYMBOL	LIQUID PIPE/GAS PIPE SIZE
P1	9.52 / 19.05
P2	6.35 / 12.7
P3	9.52 / 15.88
P4	6.35 / 9.52

Address	Additional Refrigerant
080	3.90 kg
034	0.00 kg

Appropriate Circuit Protection Device in accordance with legal government regulations are mandatory required such as (S)(meter type) and MB etc. Please refer the amount of pre-charge and the formula of calculation which is mentioned on the data book.
 1.25mm² (16 AWG) : 1.25mm² (16 AWG) or more. 1.25mm² (16 AWG) : 1.25mm² (16 AWG) or more.
 Grounding required between Outdoor Unit and Indoor Unit(s).



FONDO EUROPEO DI SVILUPPO REGIONALE BASILICATA



MATERA 2019 CAPITALE EUROPEA DELLA CULTURA



COMMITTENTE
FERROVIE APPLUO LUCANE
 Corso Italia nr. 8
 70123 Bari

1 UFFICI-BIGLIETTERIA
 PIANO TERRA

DIAGRAM SYMBOL	LEGEND DESCRIPTION
---	POWER WIRE
---	CONTROL WIRE
---	REF. PIPE / WATER PIPE
---	POWER SIGNAL WIRE

The symbol of replace judgment

Symbol	Definition
#1	Standard
#2	Usable (but performance will be affected)
#3	Usable (Performance change will be limited)
#4	Usable (Piping length will be limited)
#5	Piping length and relief operation will be limited

PIPING LIST

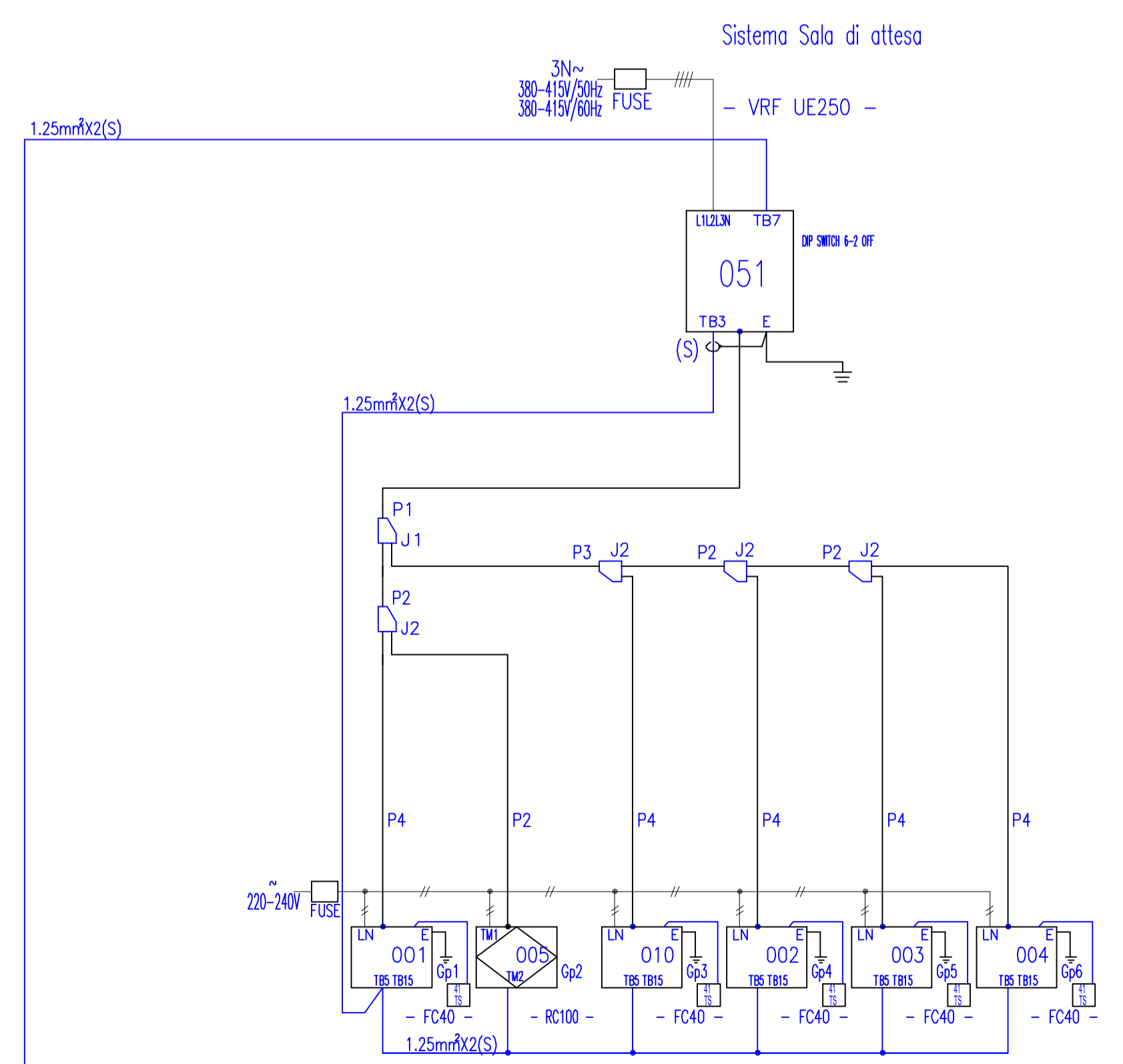
SYMBOL	BRANCH PIPE MODEL NAME
J1	CMY-Y102LS-C2
J2	CMY-Y102SS-G2

SYMBOL	LIQUID PIPE/GAS PIPE SIZE
P1	9.52 / 22.2
P2	9.52 / 15.88
P3	9.52 / 19.05
P4	6.35 / 12.7

Address	Additional Refrigerant
051	4.10 kg

12.7mm for liquid pipe of P250 unit over 90m.

Appropriate Circuit Protection Device in accordance with legal government regulations are mandatory required such as (S)(meter type) and MB etc. Please refer the amount of pre-charge and the formula of calculation which is mentioned on the data book.
 1.25mm² (16 AWG) : 1.25mm² (16 AWG) or more. 1.25mm² (16 AWG) : 1.25mm² (16 AWG) or more.



STAZIONE MATERA CENTRALE
 RISTRUTTURAZIONE EDILIZIA ED
 ADEGUAMENTO TECNOLOGICO

PROGETTO ARCHITETTONICO
30ERI
STEFANO BOERI ARCHITETTI
 Stefano Boeri Architetti
 via Gaetano Donizetti, 4
 20122 Milano
 t +39 0255014101
 f +39 0236769185

PROGETTO STRUTTURE
sce
 SCE Project
 viale Sarca, 336/f
 20126 Milano
 t +39 027006530
 f +39 0271091187

PROGETTO IMPIANTI
ESA
 engineering
 ESA Engineering
 Foro Buonaparte 76
 20121 Milano
 t +39 0289151638
 f +39 0559029994

COST ANALYSIS
 Global Assistance Development S.r.l.
 Via M. Quadrio 12
 20154 Milano
 t +39 022905672
 f +39 026560517

revisione	data
emissione	16.04.2018

livello
PROGETTO ESECUTIVO
 elaborato
STATO DI PROGETTO
 DOCUMENTAZIONE EX LEGGE 10/91
 SCHEMI IMPIANTI TECNOLOGICI
 commessa
A - MTR
 scala
 1:200
 formato
A1
 n. tavola

2 SALA D'ATTESA
 PIANO TERRA

PE EN 16 500